



Greenlife Energy Solutions LLP

making renewable energy work for you

Solar – Thermal | Solar PV – Offgrid & Net-metering | Solar water pumping

- ❖ **System Integration Solutions of Renewable Energy Products**
- ❖ **Qualified teams of installation & integration expertise**
- ❖ **Registered under NREDCAP/ TNREDC for Solar PV / Solar Thermal**
- ❖ **Research & Development**



www.gles.in

[Email: info@gles.in](mailto:info@gles.in)

Cell: 8897075990 |

9849831276

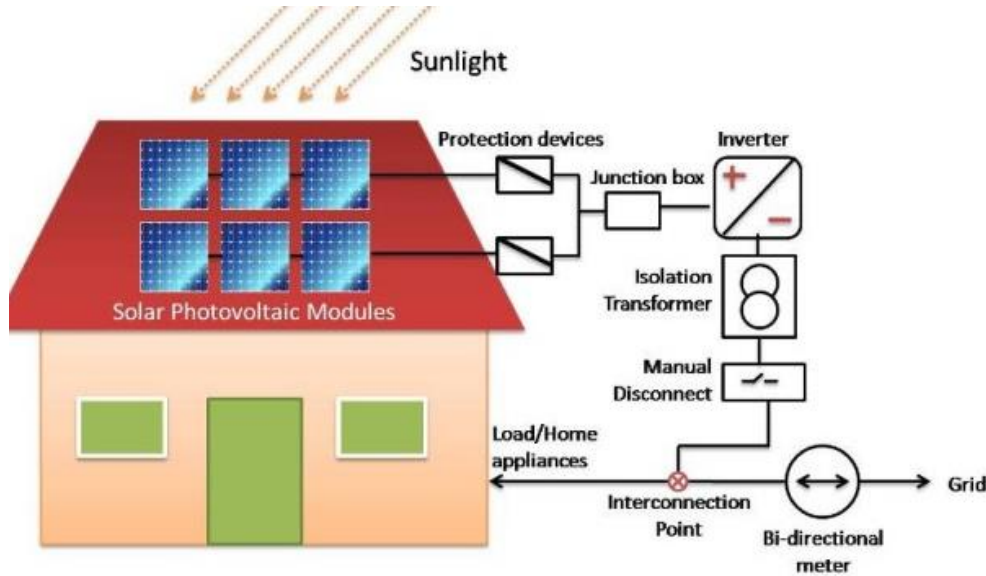
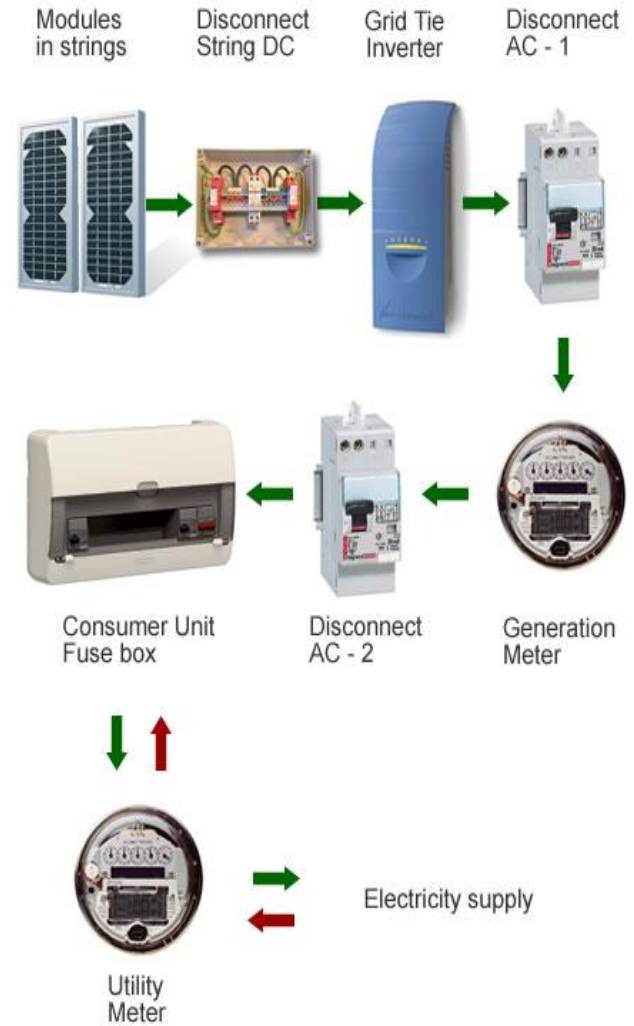
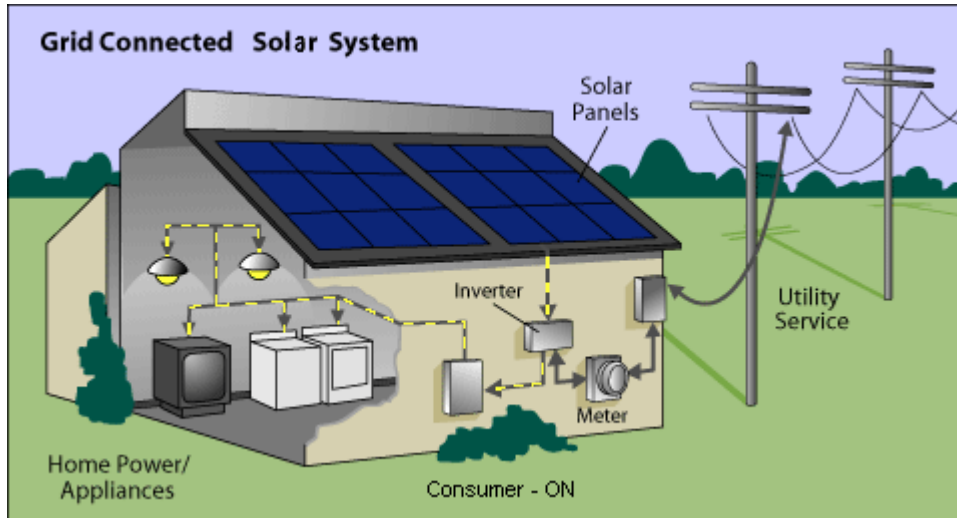
Solar PV Ongrid Net-Metering Diagram



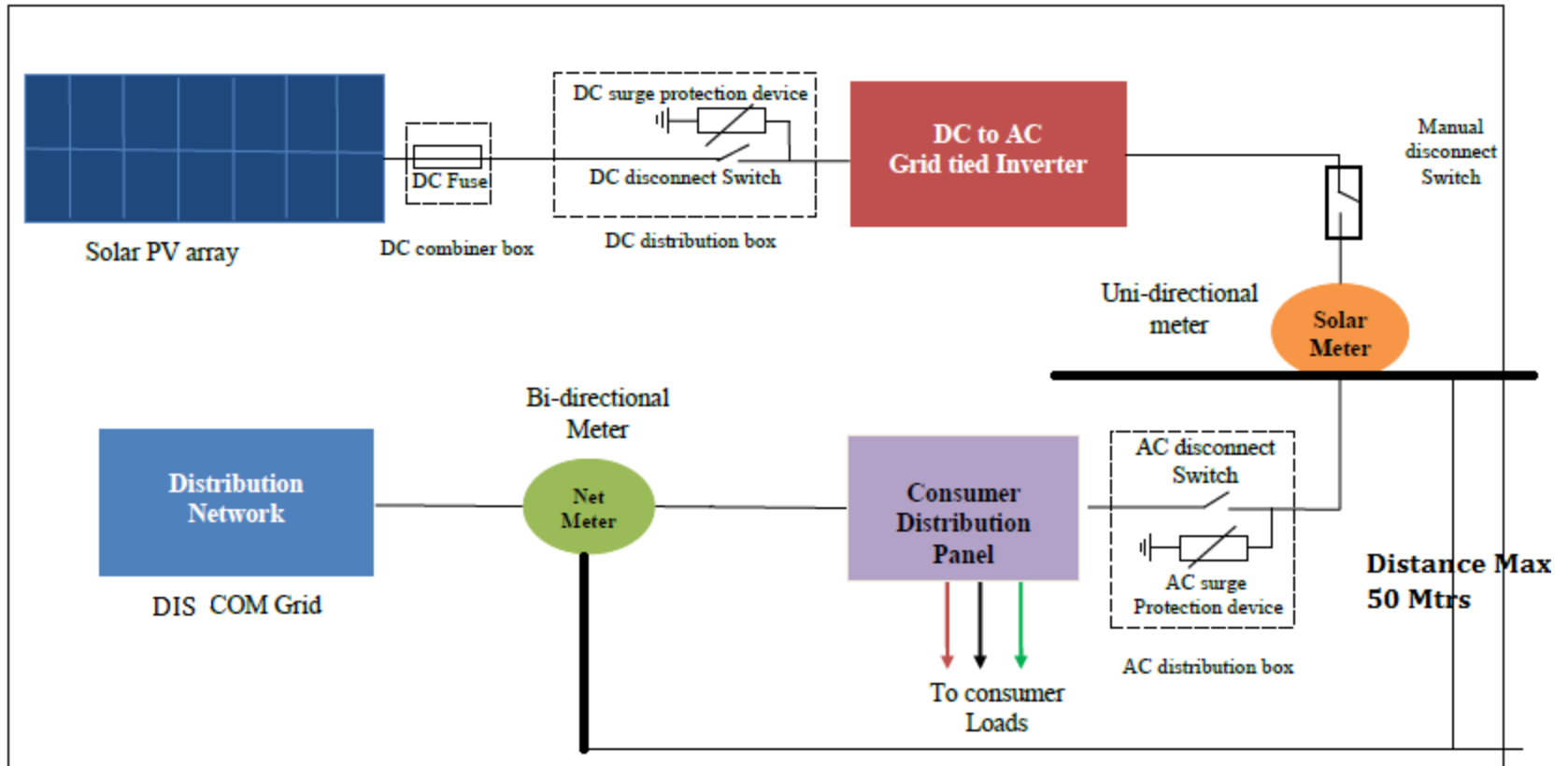
Greenlife Energy Solutions LLP
making renewable energy work for you

Solar – Thermal | Solar PV – Offgrid & Net-metering | Solar water pumping

Solar PV Ongrid with Net-Metering - Understanding Pictures



Single Line Diagram of Rooftop Facility

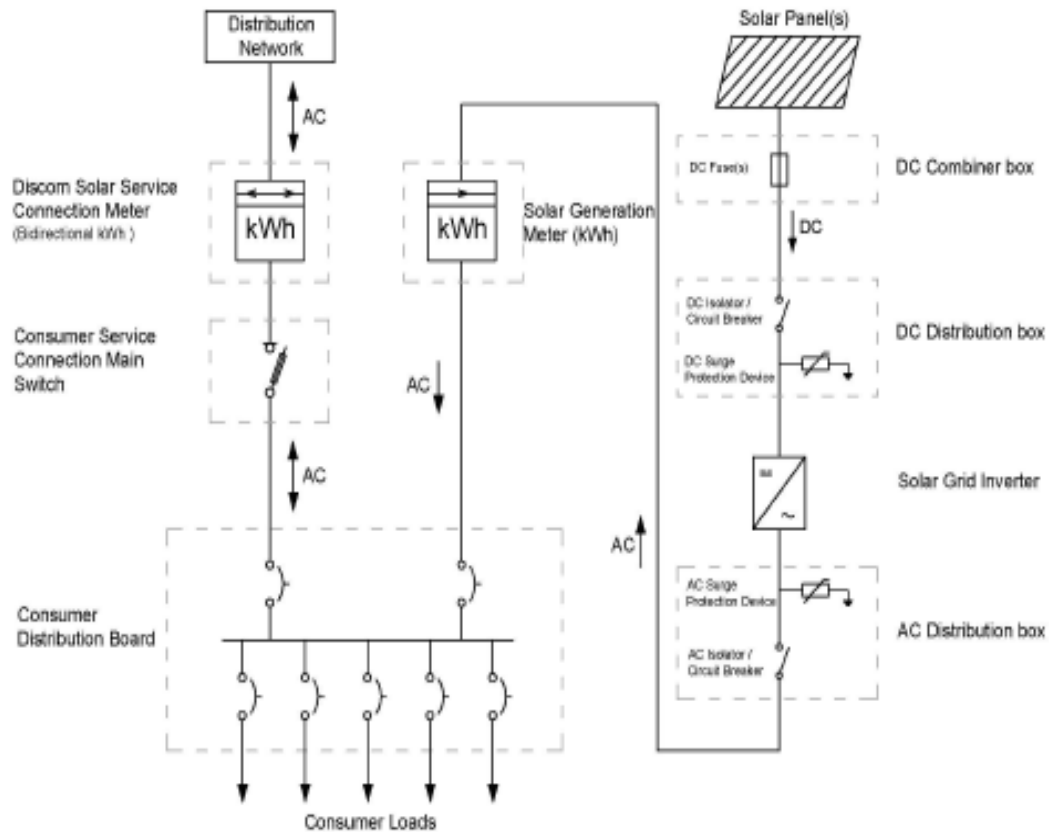


APTDC can arrange necessary facilities to evacuate power from the interconnection point as below:

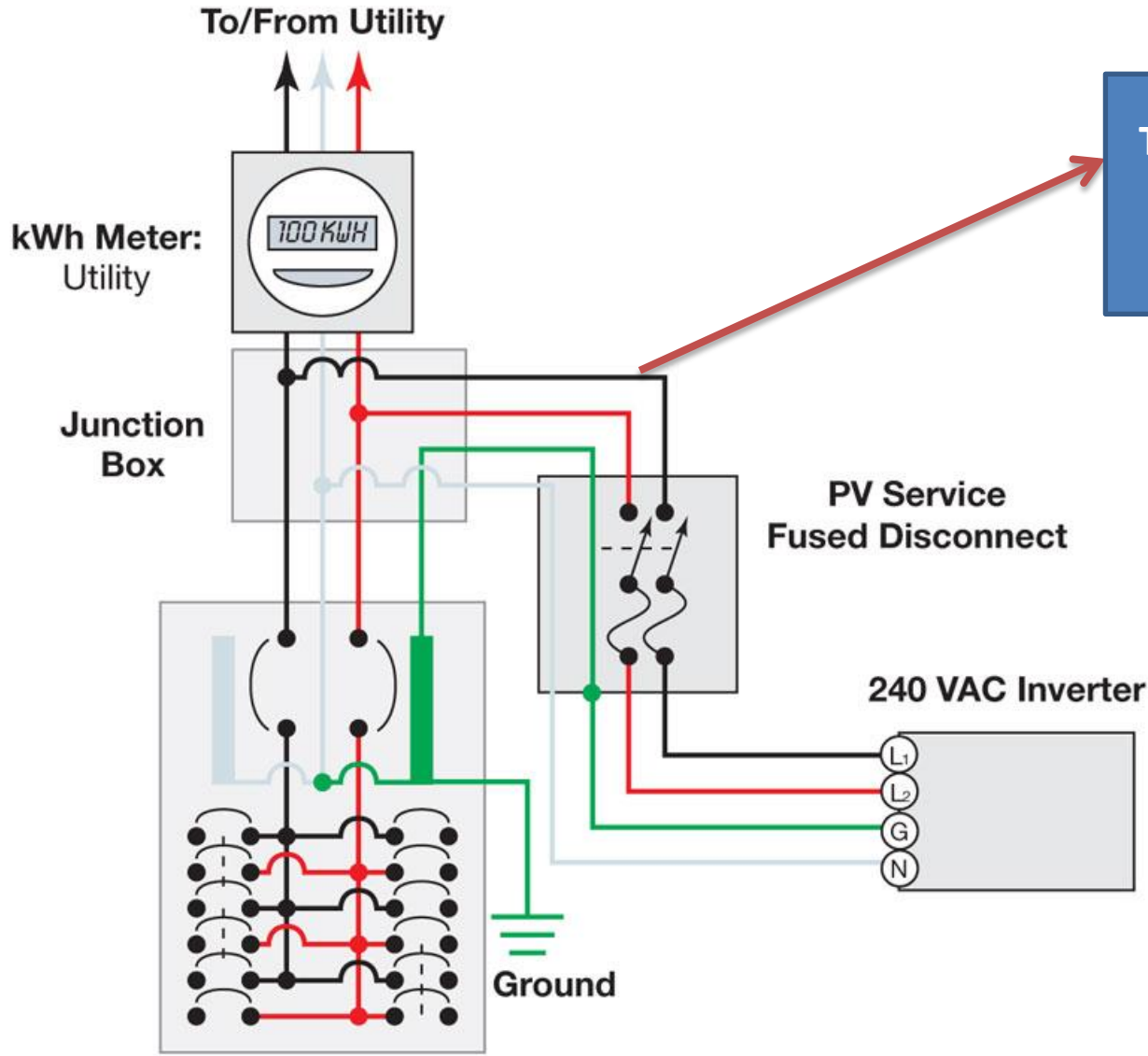
A arrange necessary facilities to evacuate power from the interconnection point as below:

Sl.

No.	System Capacity	Voltage level
1	Up to inclusive of 5 kWp	240 Volts
2	Above 5 kWp to up to 50 kWp	415 Volts
3	Above 50 kWp* & up to 1MWp	415 Volts /11KV



Net-Metered System



This Distance should be < 50 Mtrs

AC Service Entrance:
To 120/240 VAC loads

10 KW SOLAR PV ONGRID NETMETERING PROJECT IN NAMPALLY, HYD



10 KW PV Array

Solar Array Junction Box
Cum DC DB



Solar LT Side Control
Panel

415V AC Line
(4 Core 35 Sq
mm)

This will
connect to
Net-Meter's
downside

Whose Length
can not more
than 50 Mtrs

Contact Us

GREENLIFE ENERGY SOLUTIONS LLP

34/3, First Floor, Lalitha Nagar Colony,
West Marredpally Main Road,
Secunderabad - 500015

<http://gles.in>

No. 3/618, TP5/A1, Somanatha Nagar, Anantapur, A.P

Email:

info@gles.in

bnarayan@gles.in;

Cell: +91-8897075990
+91-9849831276



Solar – Thermal | Solar PV – Offgrid & Net-metering | Solar water pumping

